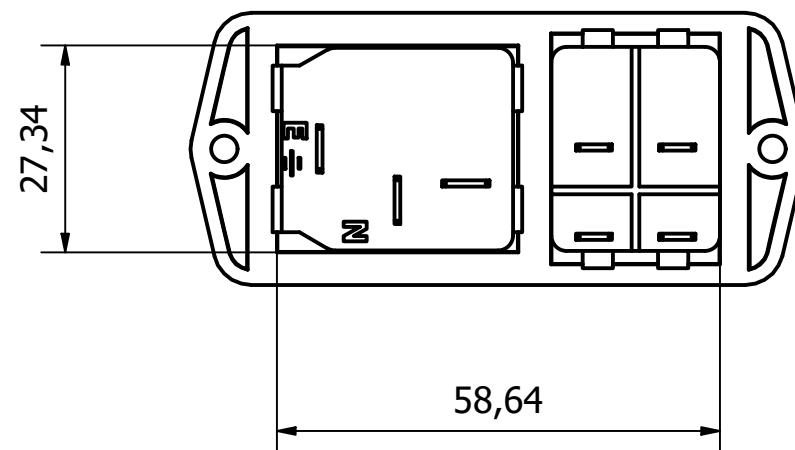
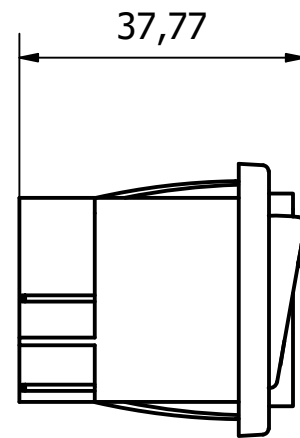
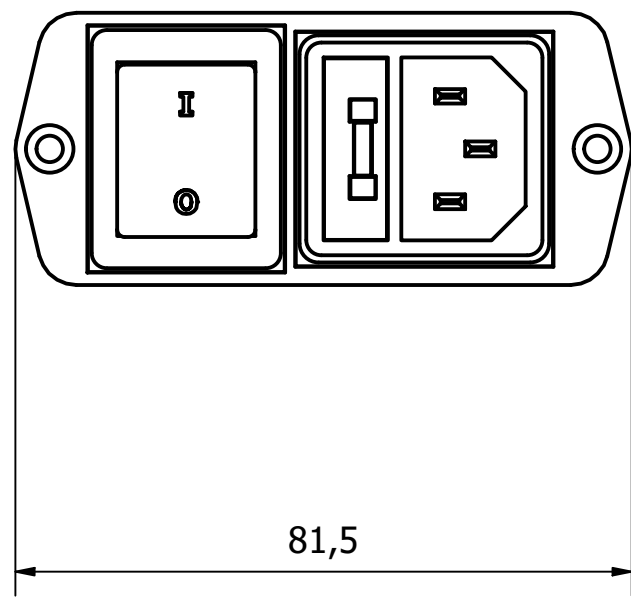
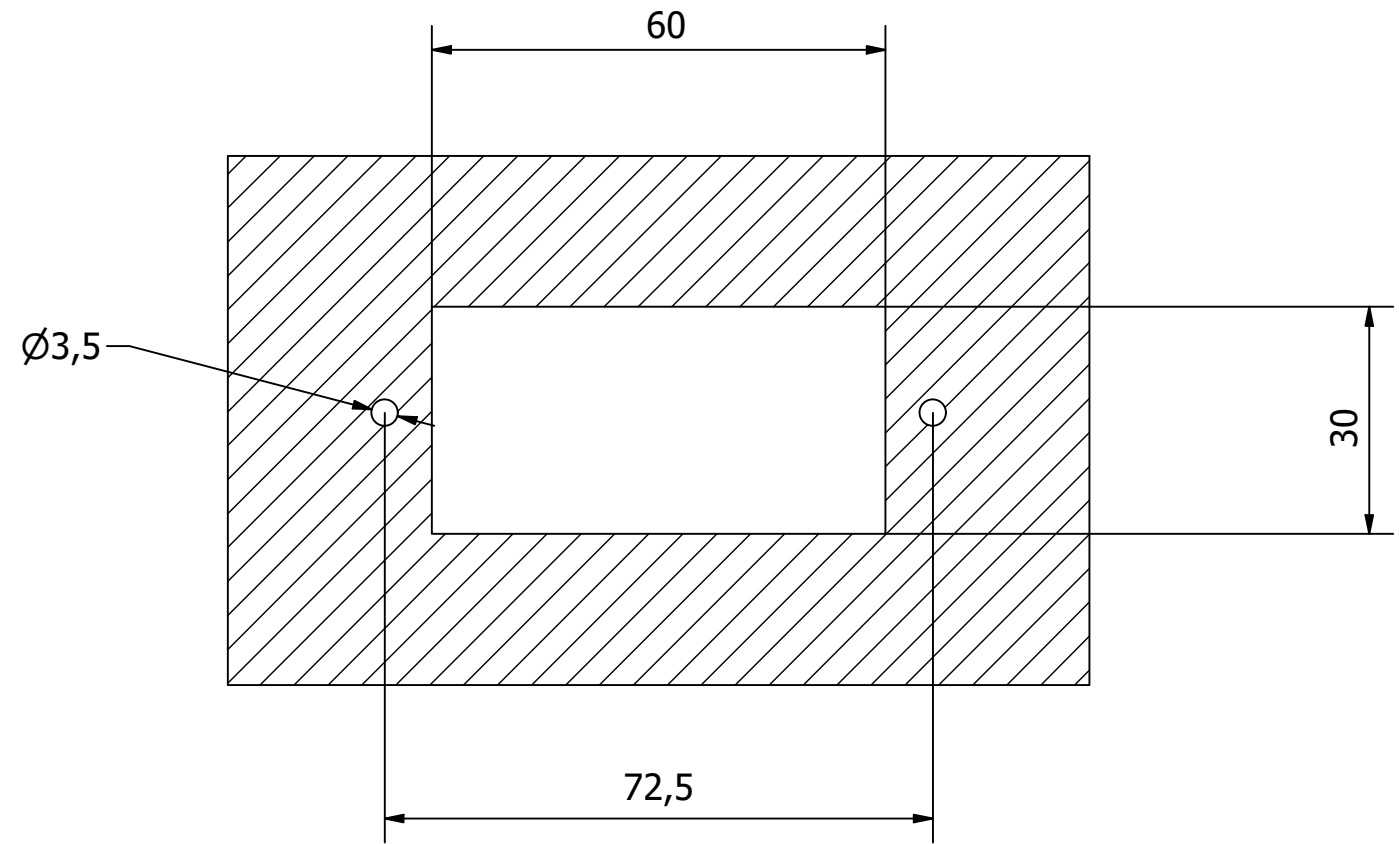
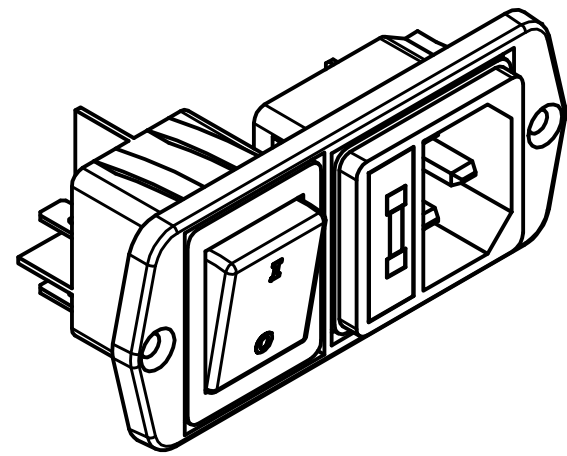
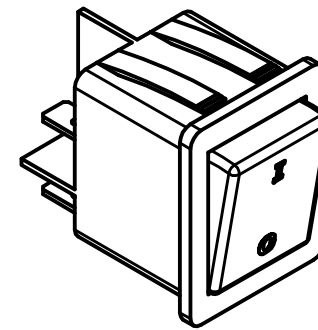
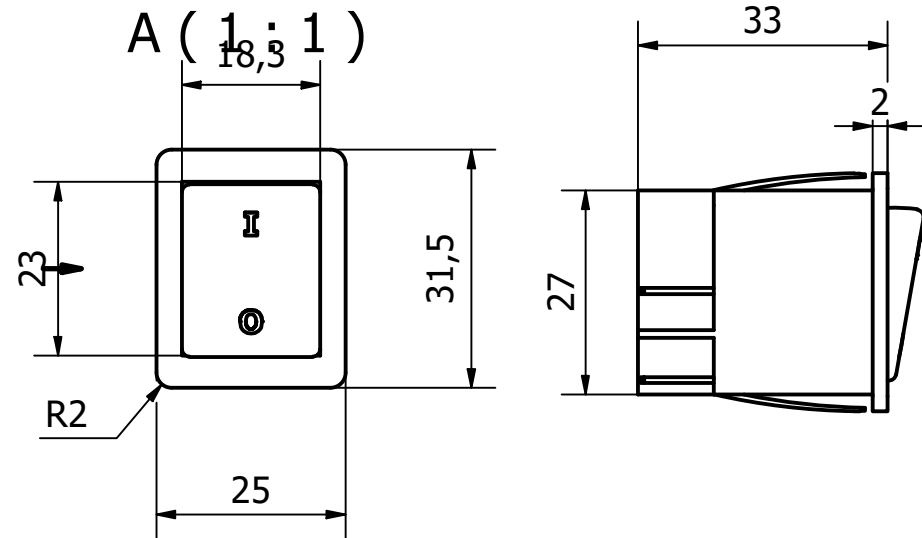
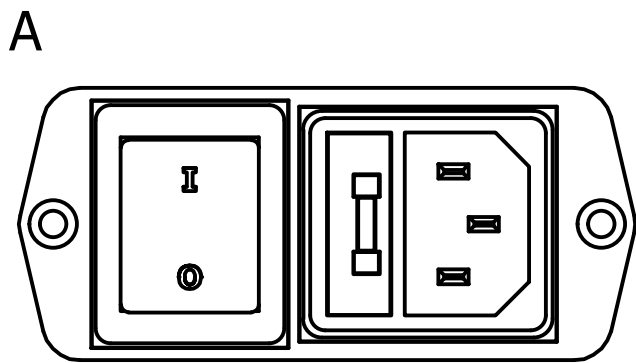
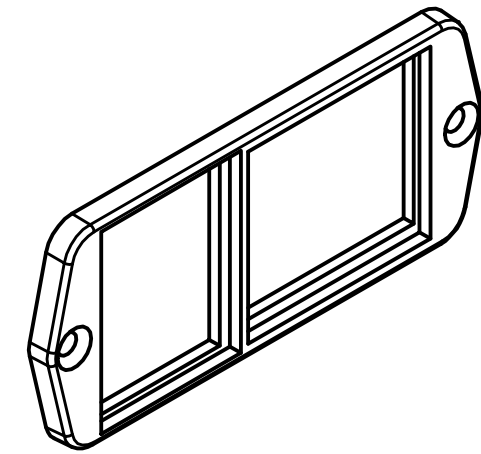
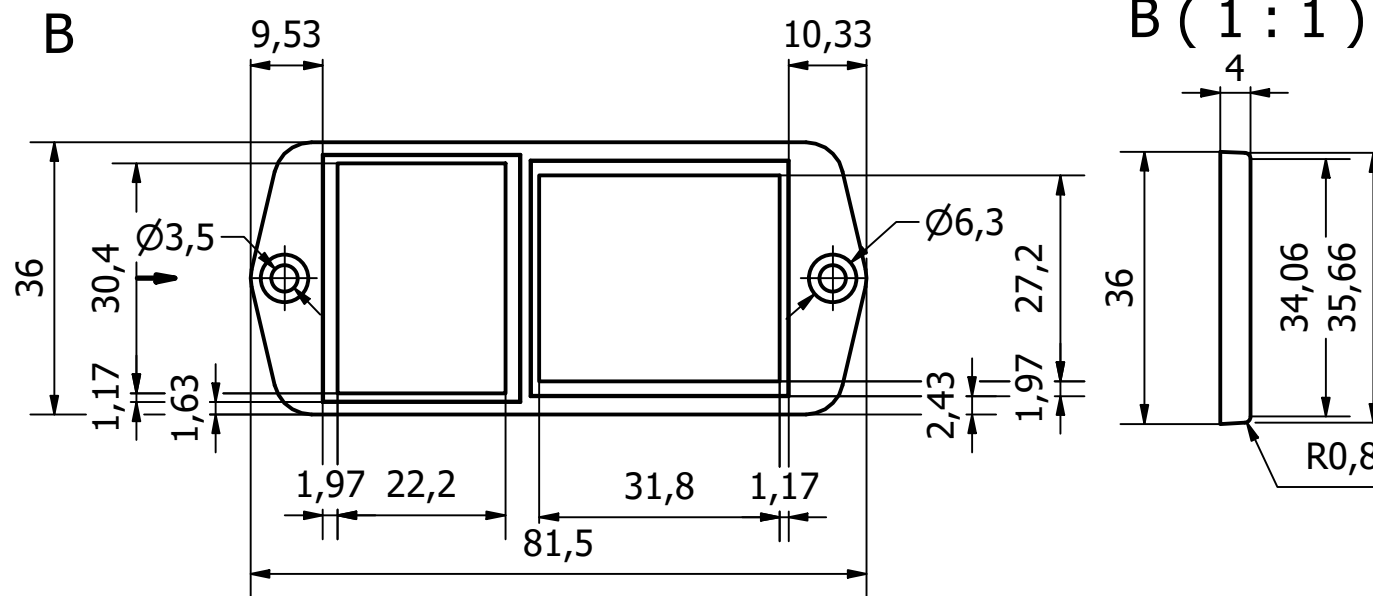
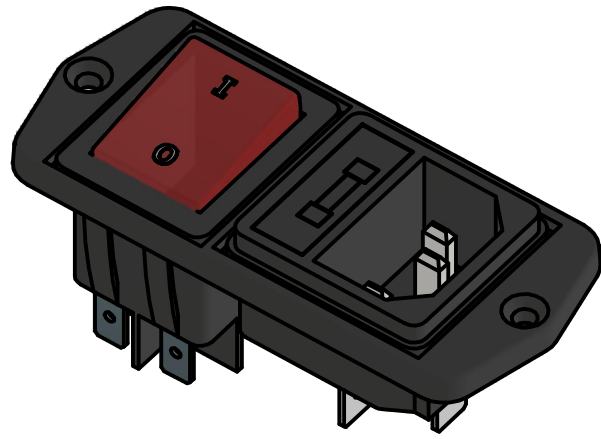


HOLE SIZE

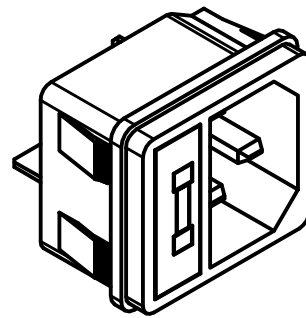
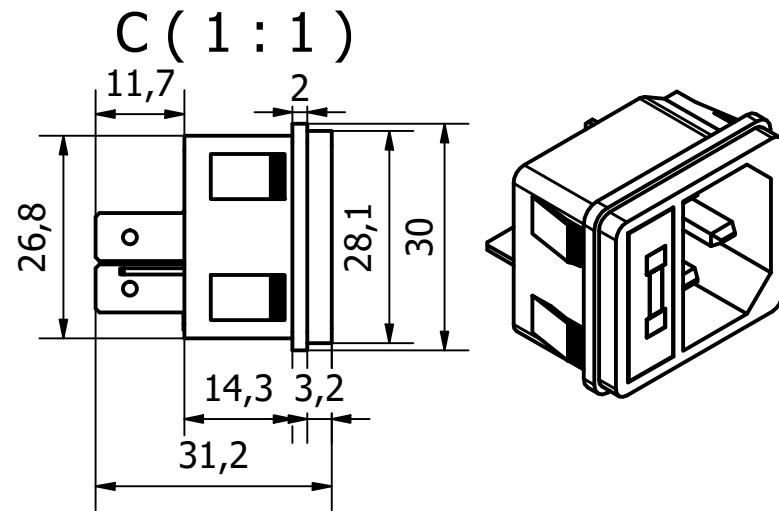
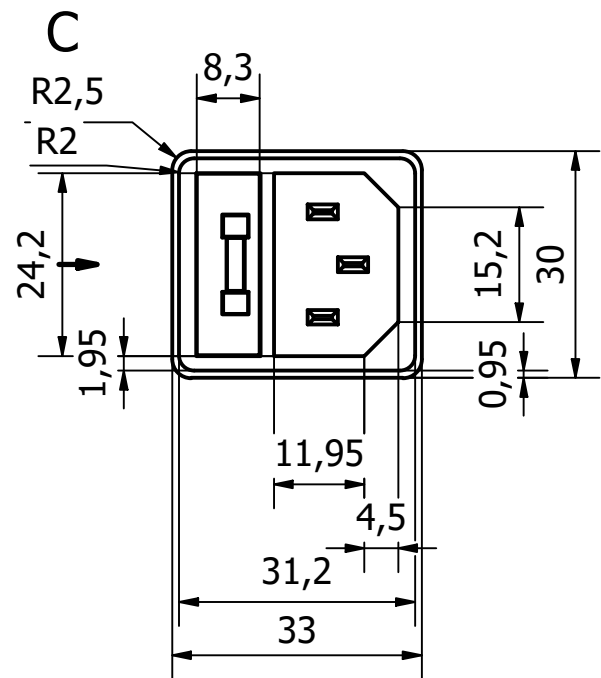


Progettato da J.Hysenaj	Controllato da	Approvato da	Data	Data 16/01/2025	
			Power Supply		
			Power supplay 0001235	Edizione	Foglio 2 / 2



SPECIFICATIONS Rocket Switch

1. RATING: UL C-UL: 16A 125VAC
ENEC SEMKO:
16 (8) A 250 VAC T125/55 1E4
2. CIRCUIT: ON-OFF W/Lamp DPST 4P
3. CONTACT RESISTANCE: 30m OHMS Max
4. INSULATION RESISTANCE: DC500V 100M OHMS Min
5. WITHSTAND VOLTAGE: AC 1500V 1 Minute
6. ELECTRICAL LIFE: 10000 Cycles at Full Load
7. OPERATION FORCE: 300-800gf
8. OPERATION TEMPERATURE RANGE: -25/+125° C



SPECIFICATIONS Power Socket

1. RATING: 10A 250VAC ENEC UL
2. INSULATION RESISTANCE: DC 500V 100M OHMS Min
3. DIELECTRIC STRENGHT: 2000VAC/1 Minute
4. HOUSING MATERIAL: Nylon 66 UL 94v-2 or 94-0

Progettato da J.Hysenaj	Controllato da	Approvato da	Data	Data 16/01/2025
			Power Supply	
			Power supplay 0001235	Edizione Foglio 1 / 1