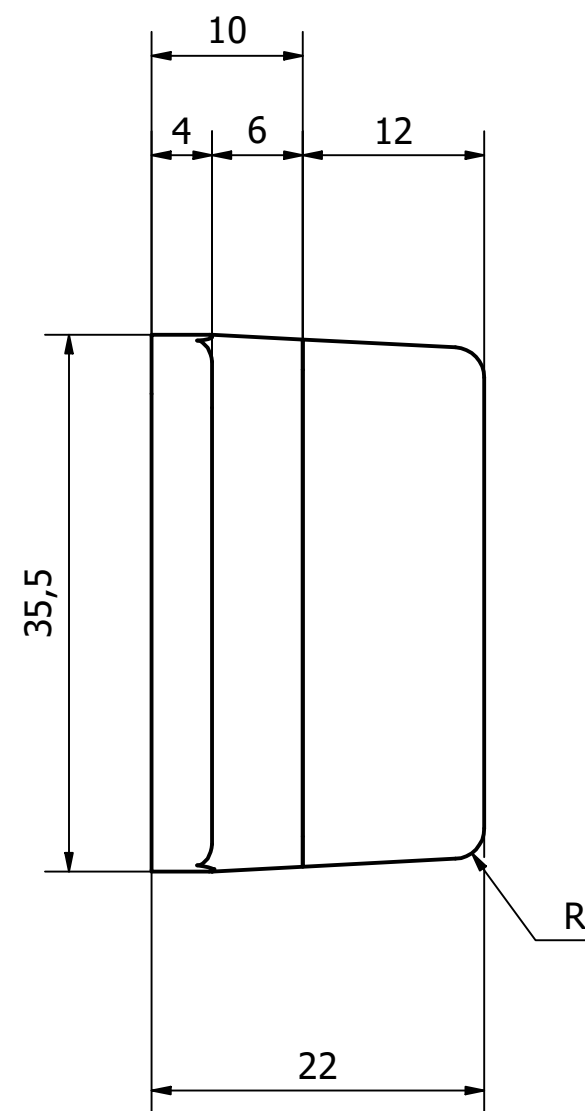
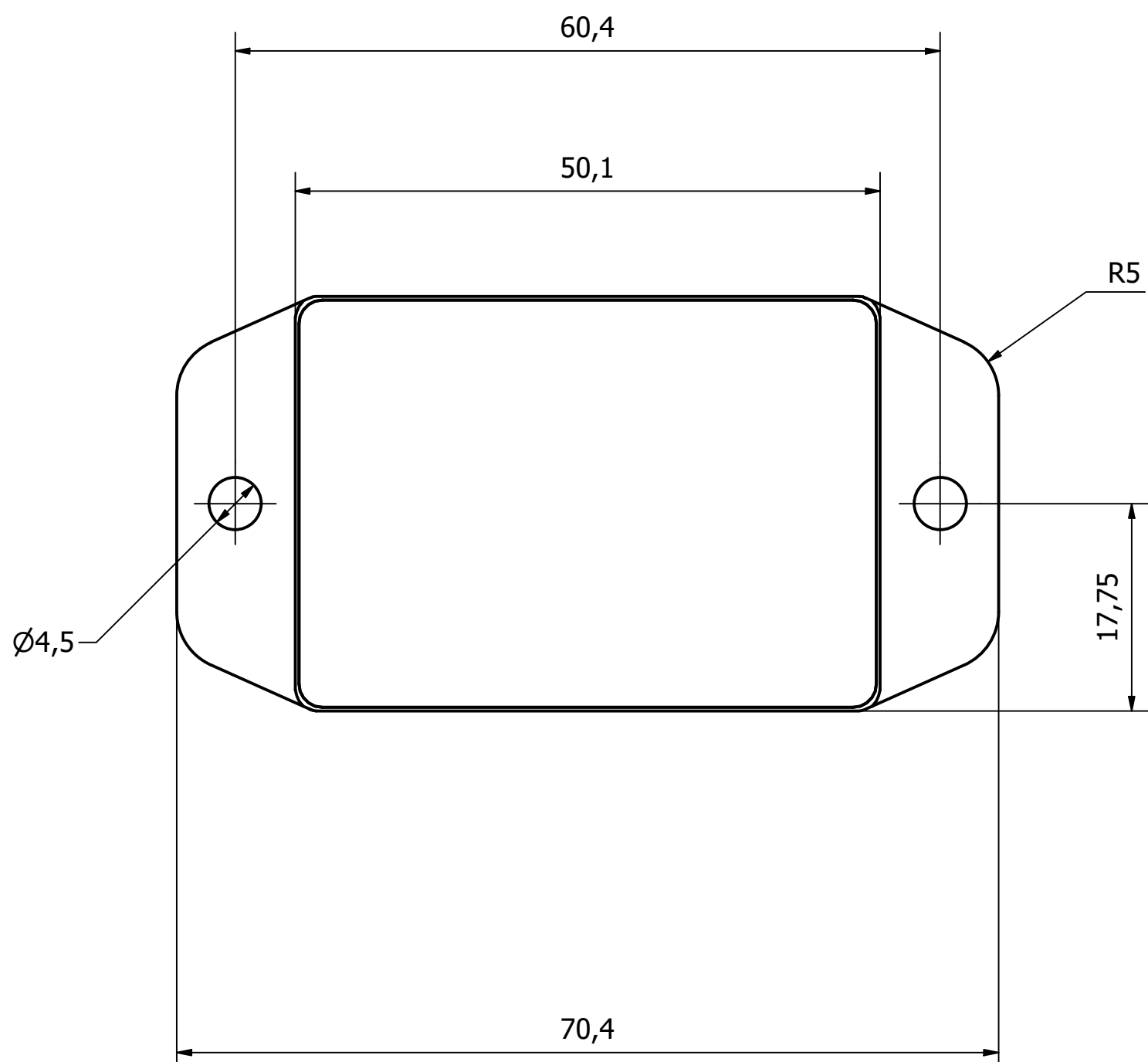


<p>Quadrante SRL www.quadrante.eu</p>	<b>LOW VOLTAGE DISCONNECT 24V</b>	
	power - 18/30 V	
	low disconnect voltage - 23,7V - red lamp	
	low reconnect voltage - 26,4V - green lamp	
delay before disconnect - 20 sec.		
accuracy ± 0,25%		
<p>RED/ + Vcc BLACK/ - Vcc BLUE/Contactor YELLOW/Red lamp GREEN/Green lamp</p>		
		<b>PK00198/0000000</b>



Progettato da j.hysenaj	Controllato da M.Rossi	Approvato da M. Rossi	Data	Data 20/01/2025
Quadrante SRL		PK00198		
PK00198		Edizione	Foglio 1 / 1	